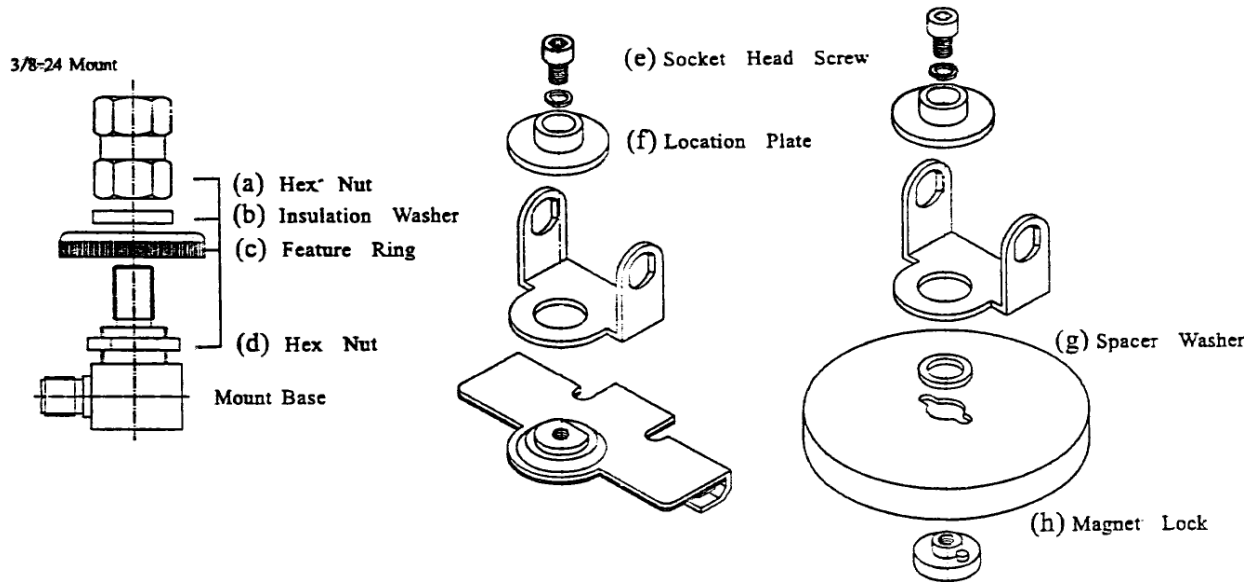


CHAMELEON V2 MOBILE MOUNT – INSTRUCTIONS

Your new antenna mount has been designed to give you the best features of both a Magnet Mount for temporary installations and a Trunk/Hatch Mount for permanent installations. This mount comes with the necessary parts to be used either way.

CAUTION: DO NOT USE THE 4" MAGNET MOUNT FOR ANTENNAS OVER 24" LONG OR CENTER/TOP LOADED ANTENNAS.



Your mount comes with the 3/8-24 mounting stud, but will also handle a SO-239 and the NMO Mount.

Magnet Mount Instructions

1. Clean the area thoroughly where the magnet will attach using soap and water, finishing with a clean dry surface. Any dirt or grit under the magnet will cause scratches. Inspect the underside of the magnet for foreign material, (paper, staples, metal parts, or shavings). Holding the magnet and mount at a 45 degree angle, gently place the edge of the magnet in the desired position. KEEP FINGERS FROM UNDER THE MAGNET. IT WILL PINCH. Do not drag the magnet around to a final position, you will scratch the surface.
2. The mount should be at a 90 degree angle to disassemble. Remove the cover on the left side of the swivel, loosen the hex head screw and swivel the mount to a 90 degree position.
 - a. Remove the hex nut (a) and insulator (b) retain. Remove feature ring (c), retain. Carefully remove the large hex nut (d), the base will come loose and fall into your hand. If you are using the small RG-174 lead, attach it to the mount, being careful not to cross thread on the fitting. Wrench tighten, snug (same is true if you are going to directly to the RG58 provided). Decide which way you wish to route your coax and insert the base assembly into the mount, securing with the hex nut (d) and wrench tighten. Install the feature ring (c), finger tighten, install the insulating washer (b), hex nut (a) and wrench tighten. Rotate the mount top to the flat position, tighten the hex nut, and replace the cap.
 - b. The optional SO-239 Mount and the Optional NMO Mount would be handled in the same manner.

Trunks Lip/Hatch Mounting Instructions

To use the mounts in the Trunk/Hatch mode you must remove the mount assembly from the Magnet. With the coax/hardware packed in the rear you will find the Trunk/Hatch plate. It has 4 set screws in the plate with a rubber insulator and steel paint guard. These all are integral to ensure proper grounding of the mount, especially for HF operations.

To remove the mount assembly, set the magnet mount on a clean, non metal surface. Locate the larger hex wrench and loosen the socket head screw (e) that holds the mount to the magnet. Hold the mount as you remove the set screw. The location place (f) set on the top of the mounting plate base will be loose when you remove the set screw and washer. Set them aside. On the magnet top you will find the spacer washer (g), set aside. Pick up the magnet and you will find the brass magnet lock (h), set aside. (Place the magnet, magnet lock plate, and the spacer in a clean plastic bag for future use.)

Place the Trunk/Hatch plate on a flat surface, with the opening of the mount facing you. Place the mount assembly over the center place, add the location plate, securing with the lock nut and set screw. Follow instructions [A] on Page 1 for installation of coax and setting of mount if necessary.

Locate the Trunk/Hatch back mount on the rear of the trunk or outer edge of a hatch/door. Loosen the set screws with the Allen wrench provided. Place the rubber surface of the assembly on the upper painted surface and slip the metal plate between the set screw tips and the metal surface of the underside of the mounting surface, then tighten set screws. Route coax, mount antenna, and insert the Chameleon Antenna 9:1 UNUN in line.

We have tried to make this a versatile, multipurpose mount that will give you years of service.

